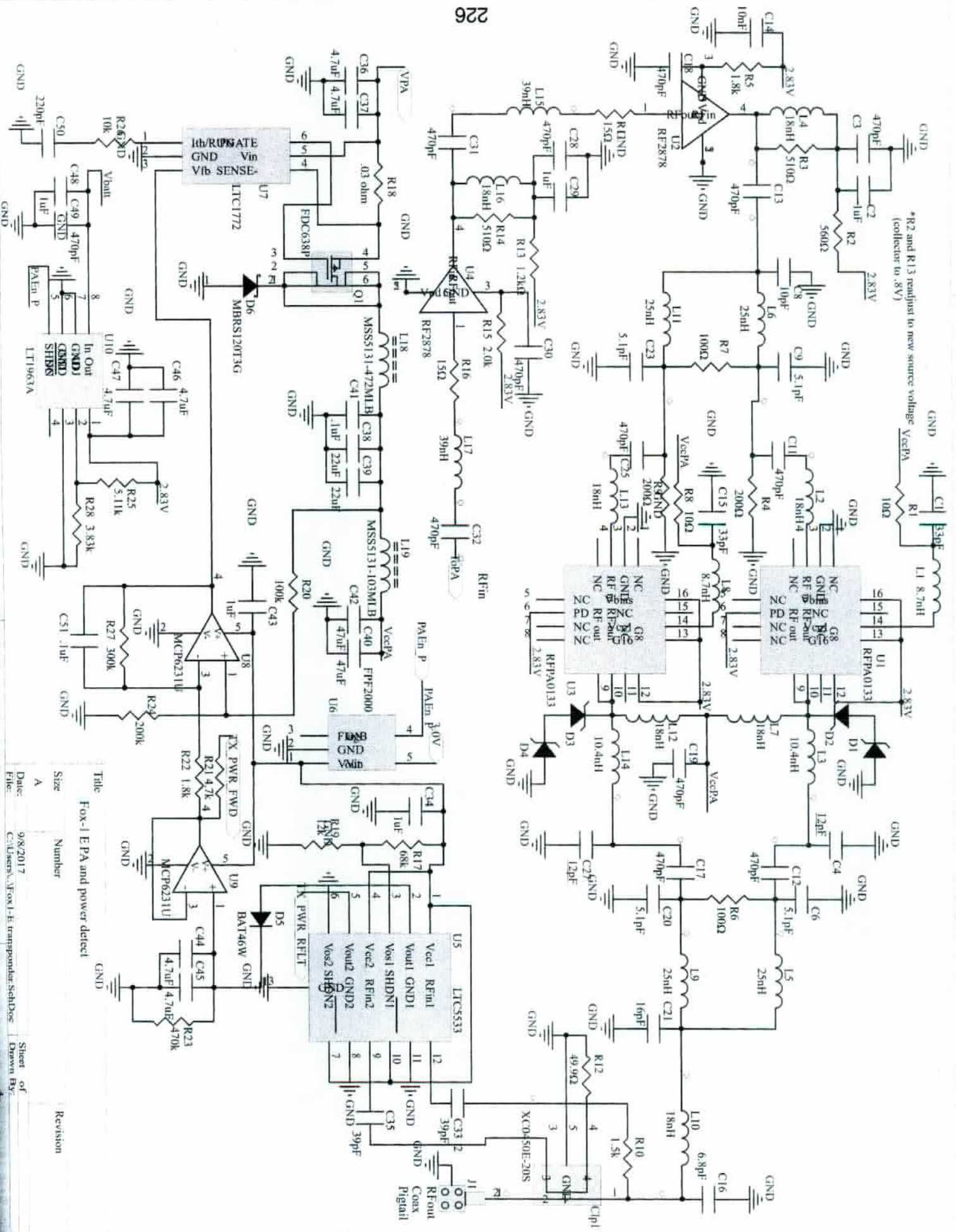


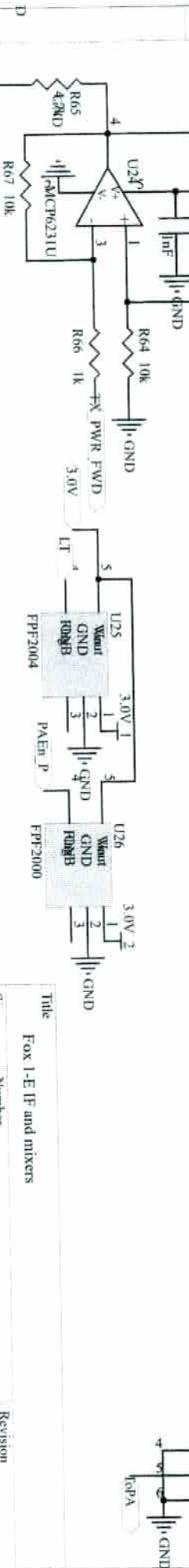
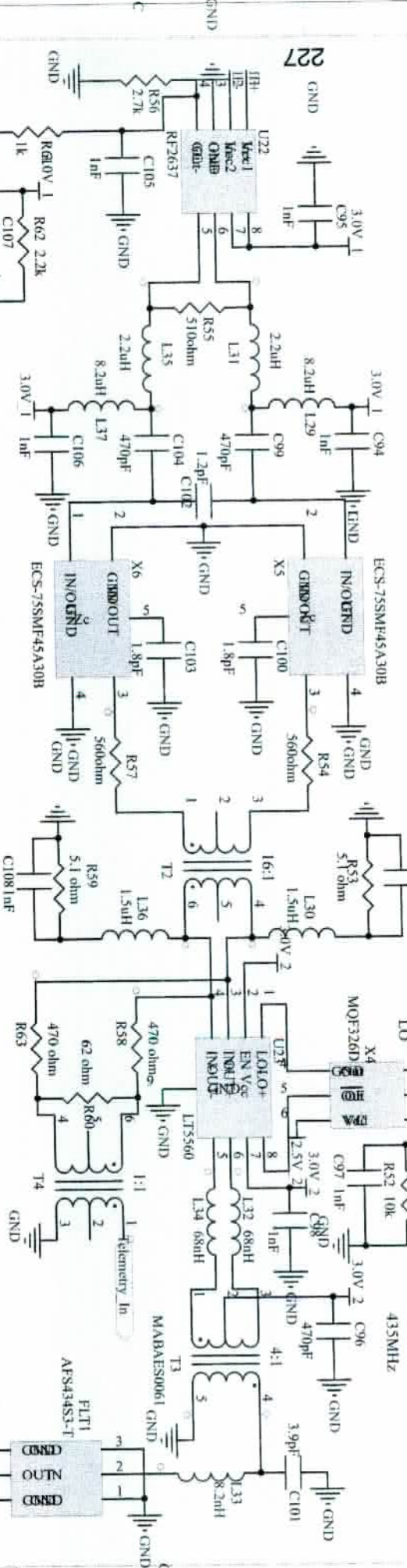
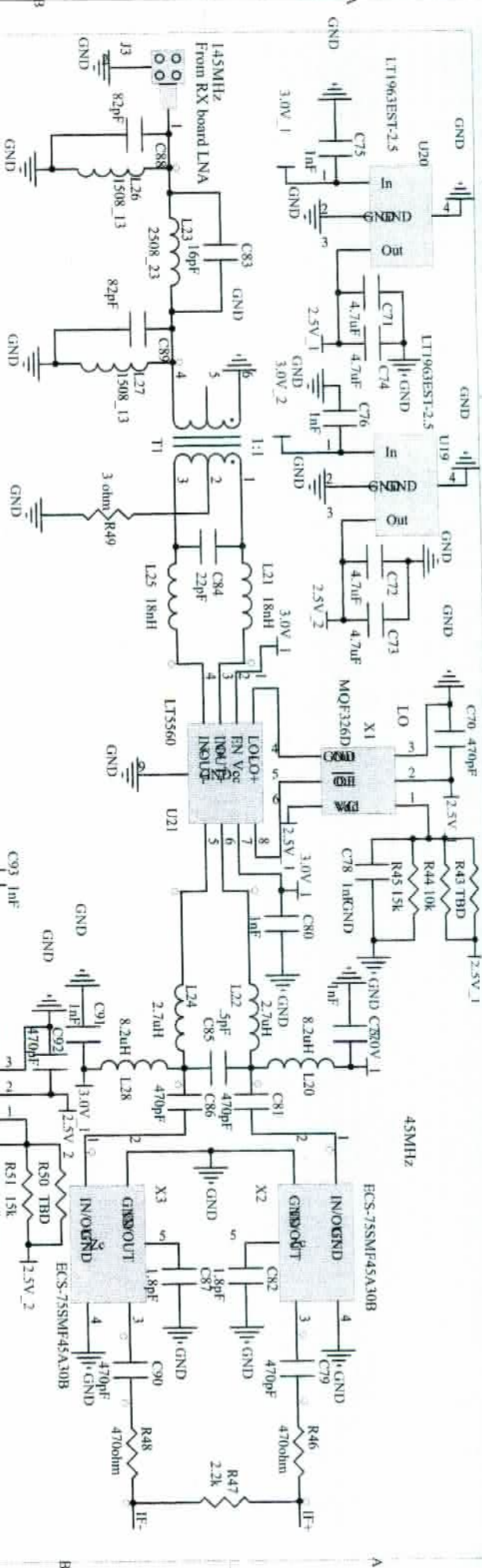
Title	Number	Revision
Fox1-E transponder		
Mixers and IF: SchDoc		
Telemetry: SchDoc		

Date	By:	Sheet of
9/8/2017		

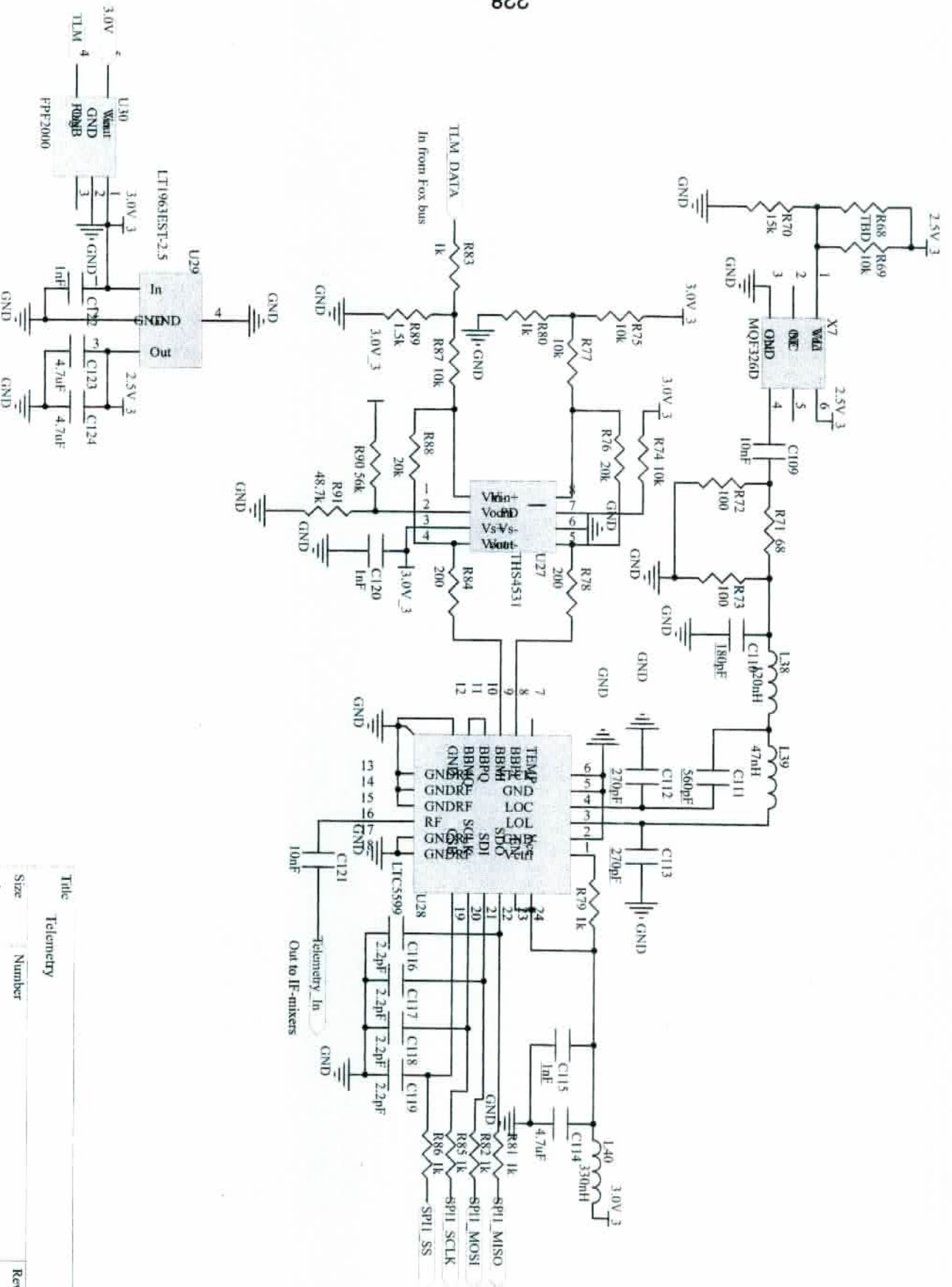
File	By:	Revision
C:\Users\... \Fox1-E transponder complete: SchDoc		



Title	Size	Number	Revision
Fox-1 E PA and power detect	A		
Date:	9/8/2017		
File:	C:\Users\...Fox-1-E-transponder\SchDoc		
Sheet of			
Drawn By:			



Title	Size	Number	Revision
Fox I-E IF and mixers	A		
Date:	9/8/2017		
File:	C:\Users\...Mixer and IF_SchDoc		
Sheet of			
Drawn By:			



Title	Telemetry		
Size	A	Number	
Date:	9/8/2017	Sheet of	
File:	C:\Users\A\Telemetry_SchDoc	Drawn By:	
Revision			